

Digital Beam Load Cell - Type BBL



Special Features

- ATEX certified (Zone 1, 2, 21, 22)
- Stainless steel
- Robust capacitive technology
- High tolerance of up to 1.000% overload
- Hermetically sealed to IP68
- Laser welded
- High accuracy, High resolution
- Cable length up to 100meters
- Calibration independent of cable length
- Load cell cable replaceable
- Easy mechanical and electrical installation
- Withstands welding voltages and ESD
- Can be used in both ATEX and non-ATEX installations



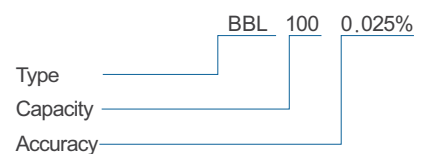
Applications

- Dynamic weighing
- Process weighing
- Tanks and vessels
- Vibration sorters
- Filling and dosing
- Platform scales
- Packaging machines
- Hopper scales
- Belt scales
- Conveyor scales
- Big-bag equipment
- On-board weighing

Options

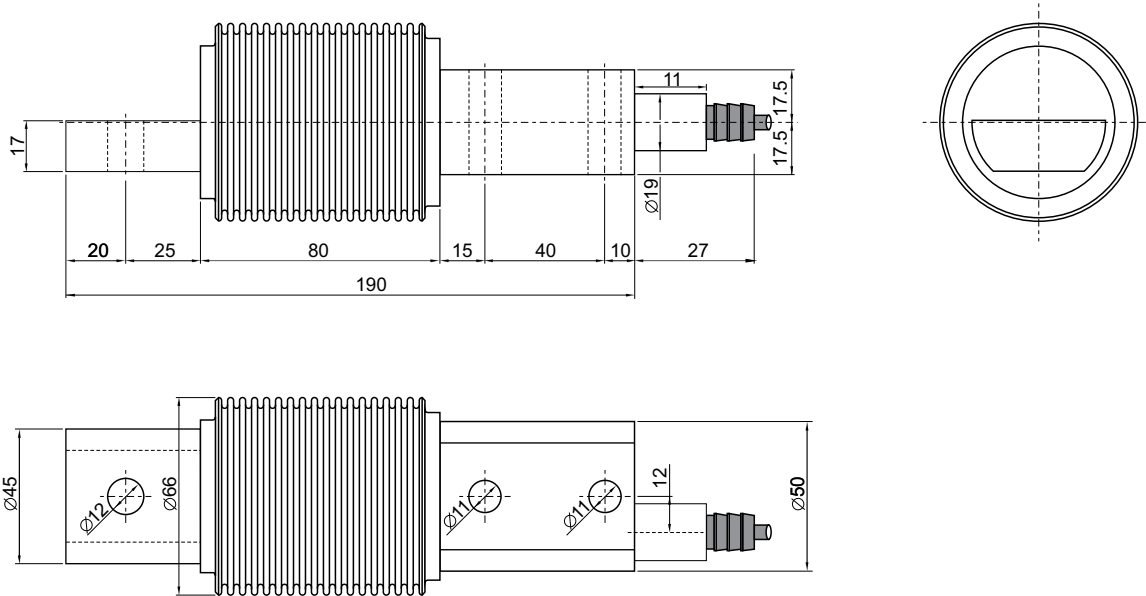
- ATEX (Zone 1, 2, 21, 22) version type BBLA
- ATEX II 2G Ex ia IIC T6 / ATEX II 2D Ex iaD 21 T85°C
- Mounting kits available
- Load cell cable length 10, 20, 50 or 100meters

Order information



Digital Beam Load Cell – Type BBL

Dimensions (mm)



Parameter	Unit	0.10%	0.05%	0.025%**
Rated capacity (E _{max})	kg	2, 5, 10, 20, 30, 50, 100, 150, 250, 500, 1.000		
Safe overload limit	% of E _{max}	300 to 1.000		
Safe sideload limit	% of E _{max}	500 to 2.000		
Minimum dead load	% of E _{max}	0		
Accuracy	% of E _{max}	0.100	0.050	0.020
Repeatability	% of E _{max}	0.018	0.015	0.010
Hysteresis	% of E _{max}	0.033	0.020	0.017
Creep 30min.	% of E _{max}	0.035	0.025	0.017
Temperature effect on zero	% /10 °C	0.040	0.030	0.016
Temperature effect on sensitivity	% /10 °C	0.040	0.030	0.016
Compensated temperature range	°C	-10 to 50		
Operating temperature range	°C	-50 to 70 (100*)		
Deflection at E _{max}	mm	Max 0.10		
Measuring rate	Hz	Up to 1.000		
Supply	Vdc	24Vdc ±10%		
Internal resolution	Bit	24		
Material		Stainless Steel 17-4 PH and AISI 316		
Protection		IP68		
Cable		6meter standard coaxial RG-58 (Ø6mm) with BNC connector		
Maximum cable length	m	100		
Weight	kg	2.3		
Output options		Profibus DP, DeviceNet, Modbus ASCII/RTU, EtherCAT EtherNet/IP, RS485, 4-20mA, 0-10Vdc		

* with Teflon cable

** higher accuracies available on request